

SHOWER CASTORS

Shower Chair Type

SUITABLE FOR LOADS UP TO **100KG** PER CASTOR

Diameter	Width	Wheel Type	Wheel Code	Bearing Type	Load Cap.	Height mm	Swivel Radius with Brake	Bolt Size	Swivel
125	25	POLY NYLON	NO CODE	SS BALL	100/80	158	102 106	12	S5592

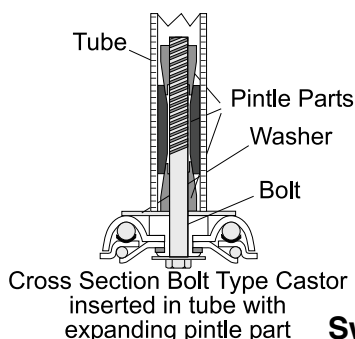
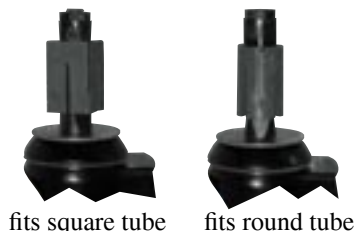
To order castor with Swivel Lock & Brake add **B** to end of Swivel Code e.g. **S5592B** indicates swivel lock & brake castor.

This Hospital Black Powder Coated castor has been specifically designed to suit commode or shower chairs.

The castor features:

1. Black powder coated finish on fork and brake pedal.
2. Brake spring, ball race and rivet in stainless steel axle.
3. Polyurethane nylon wheel with stainless steel bearing.

**SEE PAGES 51 AND 52 FOR MORE
DETAIL ON BOLT HOLE FITTINGS**



Swivel Castor S5592B



DURAPLAS SERIES CASTORS

One Bolt Type

SUITABLE FOR LOADS UP TO **100KG** PER CASTOR

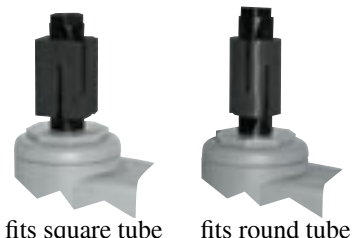
Diameter	Width	Wheel Type	Wheel Code	Bearing Type	Load Cap.	Height mm	Swivel Radius with Brake	Bolt Size	Swivel
125	32	GREY RUBBER	NO CODE	BALL	100/90	165	110 121	10	S5904

To order castor with Swivel Lock & Brake add **B** to end of Swivel Code e.g. **S5904B** indicates swivel lock & brake castor.

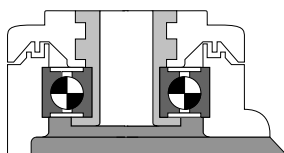
This new range of castor is the result of an innovative idea, which combines an attractive design with a highly practical structure. The support made in glass fibre-reinforced nylon, particularly resistant to bending and impact, enables all the more severe tasks to be passed.

The outstanding smooth sliding and easy handling, due to the exclusive use of water resistant precision ball bearings on both the swivelling of the fork and on the rotation of the wheel, ensures fast and noiseless movements without any effort, even with high loads.

**SEE PAGES 51 AND 52 FOR MORE
DETAIL ON BOLT HOLE FITTINGS**



CROSS SECTION
DUROPLAS CASTOR
Water Resistant



Swivel Castor S5904B

